



Hemtack

ENGINEERING CHANGE ORDER

REQUEST DATE	9/12/2022	REQUESTED BY	H. AMEZQUITA	REQUESTED RELEASE DATE	9/16/2022	ECO #	ECO-00076
AFFECTED PRODUCT LINES	MOTORIZED ROMAN SHADES (A-OK MOTORS)						
REASON FOR CHANGE	REPLACE OBSOLETE MOTOR PROGRAMMING AND OPERATION INSTRUCTION SHEET						
DESCRIPTION OF CHANGE	REPLACE OBSOLETE MOTOR PROGRAMMING AND OPERATION INSTRUCTION SHEET WITH NEW STANDARD 11X17 MOTOR PROGRAMMING AND OPERATION INSTRUCTION SHEET (MEIN0264).						
COST IMPACT	N/A						
DOCUMENT / PART NUMBER	OLD REV	NEW REV	DOCUMENT/ PART DESCRIPTION	CHANGE DESCRIPTION	FORM, FIT, OR FUNCTION AFFECTED <small>Yes, or No</small>	PART DISPOSITION <small>(USE AS IS) (REWORK) (SCRAP) (OBSOLETE) (RETURN TO VENDOR) (OTHER)</small>	
MEIN0196	1	-	INST PARA PROGRAMACION DE PIEZAS MOTORIZADAS AOK	MAKE OBSOLETE (DISCONTINUE USE) REPLACE WITH MEIN0264	NO	SCRAP	
ADDITIONAL INFORMATION	N/A						
AFFECTED DOCUMENTS / PROCESSES (CHECK ALL THAT APPLY)							
BOM / CONFIG	<input type="checkbox"/>	PRODUCT / PART SPEC	<input checked="" type="checkbox"/>	QC CHECKLIST	<input checked="" type="checkbox"/>	PART DRAWING	<input type="checkbox"/>
ASSEMBLY DRAWING	<input type="checkbox"/>	INSTR SHEET	<input checked="" type="checkbox"/>	PROCESS VISUAL AIDS	<input checked="" type="checkbox"/>	WORK INSTRUCTIONS	<input checked="" type="checkbox"/>
ECO APPROVALS ROUTING							
APPROVER	APPROVAL REQUIRED	APPROVER NAME	APPROVAL STATUS	APPROVED ON	NOTES		
PHASE II MANAGEMENT (US - DL)	<input checked="" type="checkbox"/>	T. DAVIDSON	APPROVED	09/12/22			
PHASE II PROD DEV (US - NY)	<input checked="" type="checkbox"/>	L. HUNT	APPROVED	09/21/22			
MANAGEMENT (MX)	<input checked="" type="checkbox"/>	L. MONTEJO	APPROVED	09/12/22			
QC / ENG (MX)	<input checked="" type="checkbox"/>	H. AMEZQUITA	APPROVED	09/12/22			
IT (MX)	<input type="checkbox"/>	E. CASTELLANOS	APPROVED	09/22/22			
PRODUCTION (MX)	<input type="checkbox"/>						
MATERIALS (MX)	<input type="checkbox"/>						

ACTIONS REQUIRED

BOM / CONFIG	<input type="checkbox"/>	WILL BE MODIFIED BY IT (MX)
PRODUCT / PART SPEC	<input checked="" type="checkbox"/>	WILL BE MODIFIED QC / ENG (MX)
QC CHECKLIST	<input checked="" type="checkbox"/>	WILL BE MODIFIED QC / ENG (MX)
PART DRAWING	<input type="checkbox"/>	WILL BE MODIFIED QC / ENG (MX)
ASSEMBLY DRAWING	<input type="checkbox"/>	WILL BE MODIFIED QC / ENG (MX)
INSTR SHEET	<input checked="" type="checkbox"/>	WILL BE MODIFIED PHASE II (USA)
PROCESS VISUAL AIDS	<input checked="" type="checkbox"/>	WILL BE MODIFIED QC / ENG (MX)
WORK INSTRUCTIONS	<input checked="" type="checkbox"/>	WILL BE MODIFIED QC / ENG (MX)

PICTURES, DRAWINGS, ETC.

Radio Technology Motor & Controls for Custom Shades

Wire-free Rechargeable Motor System

PROGRAMMING AND OPERATION OF RADIO TECHNOLOGY MOTORS

IMPORTANT: The Upper & Lower limit positions (full UP & DOWN positions) have been pre-set at the factory – also, a Channel Number has been assigned to each shade - therefore, it is not necessary to perform Steps 1, 2 & 3 below – however, we recommend that you read these to familiarize yourself with the basics of programming the motor and remote control and to fully understand the function of your motorized shade. Also, note that the batteries in the motor are fully charged at the factory prior to shipment.

1. Channel Selection for Each Shade

When you receive your shades the channel number pre-assigned to each shade will be marked on the shade and/or carton. Per the notice above, it is not necessary to perform Steps 1, 2 & 3 as these settings are done at the factory and will require no adjustment under normal circumstances.

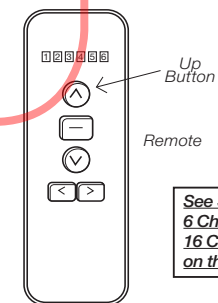
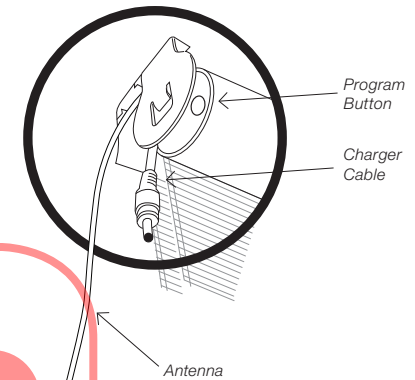
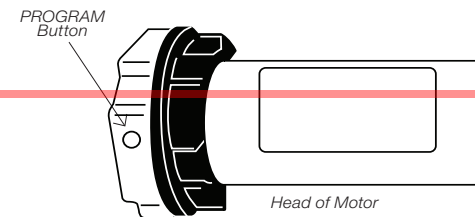
A channel number must be assigned to each motor/shade. The assigned numbers should be sequential starting with #1 (1, 2, 3 etc.).

Press the channel buttons/arrows to select a dedicated channel for each shade prior to mating each shade/motor to the remote controller.

2. Programming/Mating

REMINDER: the motor and remote have been pre-set at the factory – programming information for Steps 1, 2 & 3 is provided as background information only.

Identify the head of the motor housing on the left side of the shade (see drawing) - Press the PROGRAM button until the motor beeps and the shade oscillates (the shade will oscillate - a quick back and forth movement of the shade) Press the UP button on the remote (see drawing) – the shade will oscillate again – the motor and transmitter are now mated.



3. Setting UP and DOWN Limit Positions

NOTE: Upper and lower limit positions have been pre-set at the factory - programming information for Steps 1, 2 & 3 is provided as background information only.

Set the UP position:

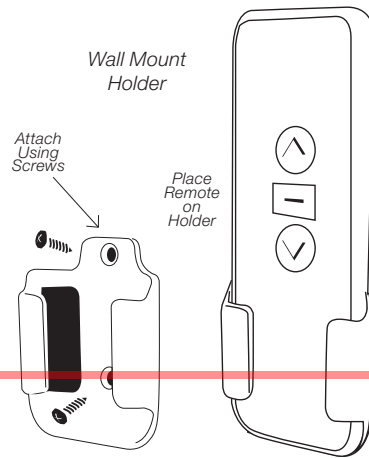
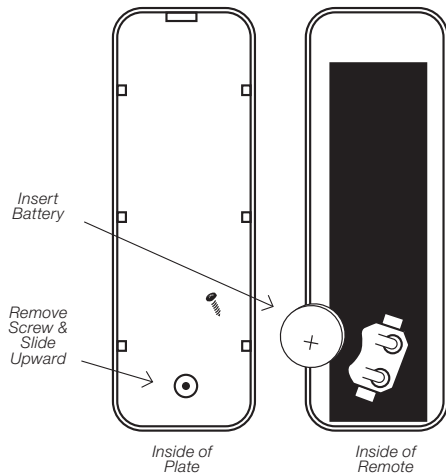
Move the shade 6" to 10" below the desired upper limit by pressing the UP or DOWN arrows/buttons on the remote. Press the PROGRAM button on the back of the remote – the motor will oscillate – this puts the motor in program mode. Now move the shade up to the desired UP position and press the program button again – the motor will oscillate and the upper limit is now set.

Set the DOWN position:

Move the shade down from the upper limit position to a point 6" to 10" from the bottom, and then press the

Installation/Replacement of the Remote Control Battery

Remove the cover on the rear of the remote by removing the screw and sliding the back plate upward slightly – install a 3V [CR2032] disk type battery as illustrated.



Installation of Optional Wall Mount Holder

Attach the remote holder using the screws provided (use wall anchors for hollow dry wall), or peel the foil off the adhesive pad on the back of the remote holder and press it into place on any clean flat surface.

CUSTOMER SERVICE: 1-800-264-1190

General Safety Instructions for Motorized Shades

- Do not expose the motor or transmitter to moisture or extreme temperatures
- Do not allow children to play with this device
- Use or modification outside the scope of this instruction manual will void the warranty
- If cable or power connector is damaged, do not use
- Keep the antenna straight and clear from metal objects

Statement Regarding FCC Compliance

This device complies with Part 15 of the FCC rules. Operation is subject to the following two conditions:

- 1) This device may not cause interference, and
- 2) This device must accept any interference received, including interference that may cause undesired operation.

Note:

This equipment has been tested and found to comply with 15 of the FCC Rules. These limits are designed to provide reasonable protection against harmful interference in a residential installation. This equipment generates, uses and can radiate radio frequency energy and, if not installed and used in accordance with the instructions, may cause harmful interference to radio communications.

However, there is no guarantee that interference will not occur in a particular installation. If this equipment does cause harmful interference to radio or television reception, which can be determined by turning the equipment off and on, the user is encouraged to try to correct the interference by one or more of the following measures:

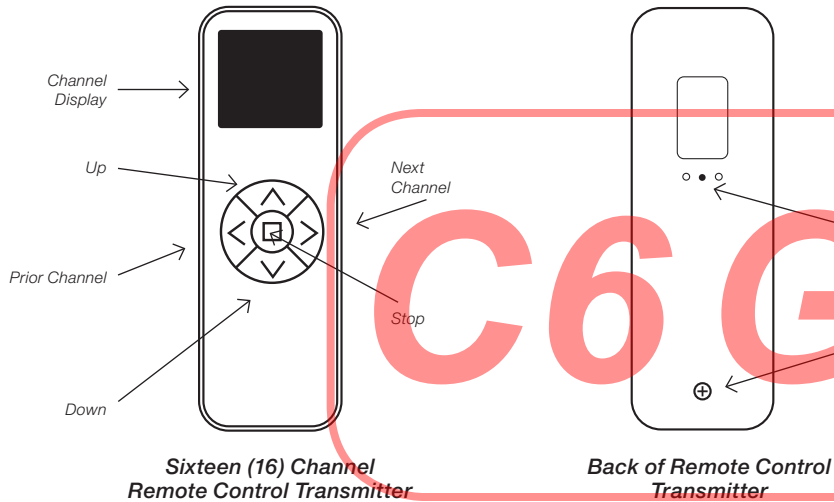
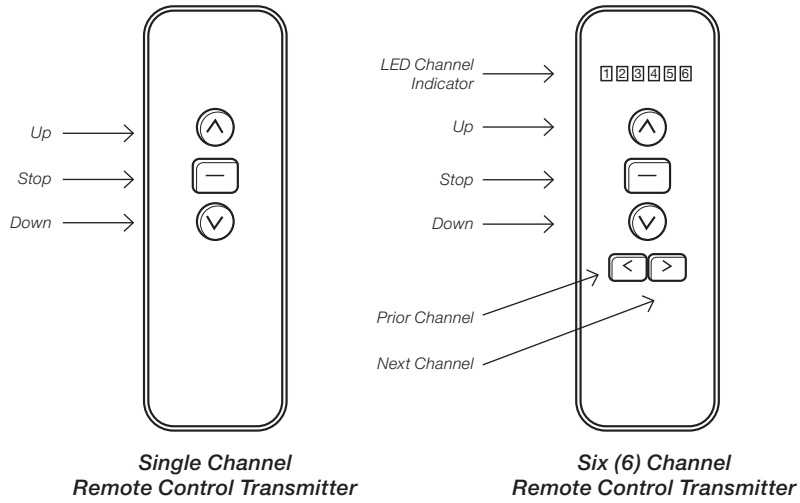
- Reorient or relocate the receiving antenna.
- Increase the separation between the equipment and the receiver.
- Connect the equipment into an outlet on a circuit different from that to which the receiver is connected.
- Consult the dealer or an experienced radio/TV technician for help.

Any changes or modifications not expressly approved by the party responsible for compliance could void the users authority to operate the equipment.

C6 GC 110

MEIN0196

Remote Transmitters



PROGRAM button on the back of the remote – the motor will oscillate and is once again in program mode. Now move the shade to the desired DOWN position and press the PROGRAM button the motor will oscillate and the lower limit is now set.

NOTE: after all limits are set, see the remote control operating instructions below.

4. Setting Intermediate Positions & Other Settings

Setting INTERMEDIATE positions

Up to (4) intermediate positions can be set.

Move the shade at least 6 inches away from the previously set limits – press the PROGRAM button on the rear of the remote – the motor will oscillate and is now in program mode.

Now move the shade to any desired intermediate STOP position and press the PROGRAM button again – the motor will oscillate and the intermediate STOP position is now set.

Repeat this process to set additional intermediate STOP positions.

When setting a limit, if there is no action within 30 seconds, the motor will automatically exit the limit programming mode.

Limit Position Fine Tuning: move the shade to the limit position that you wish to adjust. Press the program button on the rear of the remote – the motor will oscillate and is now in limit setting mode. Use the UP/DOWN buttons on the remote to establish a new position – press the program button on the rear of the remote – the motor will oscillate and the fine-tune setting is now complete.

Erasing Limits:

Note: the 1st/Upper limit cannot be erased – it can only be eliminated by deleting all memory

Move the shade to the limit position that you wish to erase – press and hold the PROGRAM button on the rear of the remote for approximately 7 seconds – the motor will oscillate twice, and the limit has been erased.

Deleting Memory

To Delete All Memory: Press the program button on the head of the motor 4 times (@ one second intervals), and then press a fifth time and hold the button down (approximately 7 seconds) until the motor oscillates twice. All memory is now erased.

Deleting Memory for a Single Channel: Set the remote transmitter on the channel to be deleted. Press the STOP button for approximately 5 seconds – the motor will oscillate. Now press the program button on the rear of the remote – the motor will oscillate and the single channel is deleted

Using the Remote Control Transmitter

Press the UP/DOWN button once and the shade will move to the next pre-set limit position.

Press the UP/DOWN button twice at the speed of once per second and the shade will move to the UP or DOWN limit position without stopping at any intermediate position.

When the up position has been reached, the UP button becomes non-functional, and when the down position has been reached the DOWN button becomes non-functional.

Controlling Multiple Shades Simultaneously

6 Channel Remote: press the channel selector until all six lights are lit to control up to 6 shades at the same time using the remote control as described above.

16 Channel Remote: press the channel selector button until "CC" appears in the display window to control up to 16 shades at the same time using the remote control as described above.

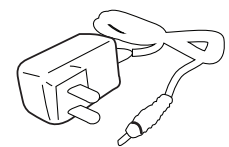
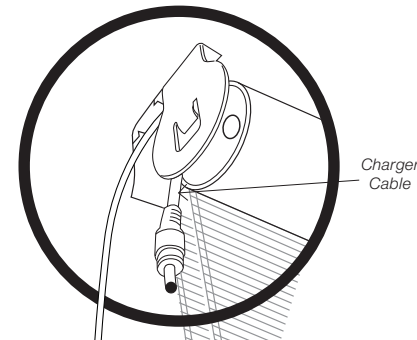
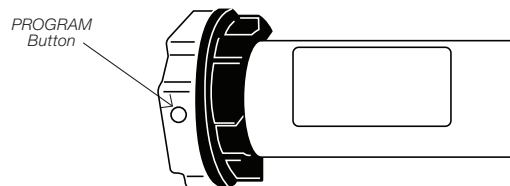
Operating the Shade

To raise and lower the shade, use the remote control as described above.

Charging the Batteries

Connect the AC Charger to the Charger Cable attached to the motor head – charge for 8 hours.

Motor Head



Charger Adapter

MEIN0196

Cambio de dirección del motor: La dirección del motor está preestablecida de fábrica. Normalmente no habría necesidad de cambiar/revertir la dirección del motor. Sin embargo, la polaridad puede ser invertida de la siguiente manera: Mantenga presionado el botón PARAR en el remoto; el motor oscilará. Luego presione y mantenga presionado el botón ABAJO en el remoto; el motor oscilará nuevamente; la dirección del motor ahora está invertida.

Programación de cortinas múltiples en un solo canal o en un control remoto de un solo canal: Se puede acoplar un motor a la vez a un solo canal; todos los demás motores deben estar APAGADOS durante el proceso de acoplamiento. Después de acoplar el primero de varios motores, apáguelo, luego encienda el siguiente motor a acoplar y repita el proceso hasta que todos los motores estén acoplados y luego encienda todos los motores.

Cómo APAGAR un motor: Mantenga presionado el botón PROGRAMAR en el motor del riel durante aproximadamente 8 segundos; suéltelo después de que el LED rojo parpadee tres veces.

Adición de un control remoto: La información programada en un control remoto existente se puede copiar en un nuevo control remoto. Al agregar un control remoto, cada canal/persiana debe copiarse individualmente, uno a la vez. Comience seleccionando cualquier canal deseado en ambos controles remotos. Coloque los controles remotos uno al lado del otro. Mantenga presionado el botón DETENER en el control remoto ya programado durante aproximadamente 5 segundos; el motor de la persiana oscilará. Inmediatamente presione el botón ARRIBA en el nuevo control remoto; el nuevo control remoto ahora se ha programado para el canal elegido.

Repita este procedimiento para cada canal que desee programar en el nuevo control remoto.

Uso del Transmisor a Control Remoto

Presione el botón de ARRIBA / ABAJO una vez y la cortina irá a la siguiente posición pre-determinada.

Presione ARRIBA / ABAJO dos veces en un período de un segundo y la cortina se moverá hacia arriba o hacia abajo hasta la posición límite sin detenerse en posiciones intermedias.

Cuando se alcanza la posición de arriba, el botón de ARRIBA quedará

inactivo, y cuando se ha alcanzado la posición límite inferior, el botón de ABAJO quedará inactivo.

Control de Múltiples Cortinas Simultáneamente

Control Remoto de 6 Canales: presione el selector de canal hasta que las 6 luces se encienden y controlan las cortinas al mismo tiempo.

Control Remoto de 16 Canales: Presione el selector de canales hasta que aparece "CC" en la pantalla para controlar hasta 16 cortinas al mismo tiempo.

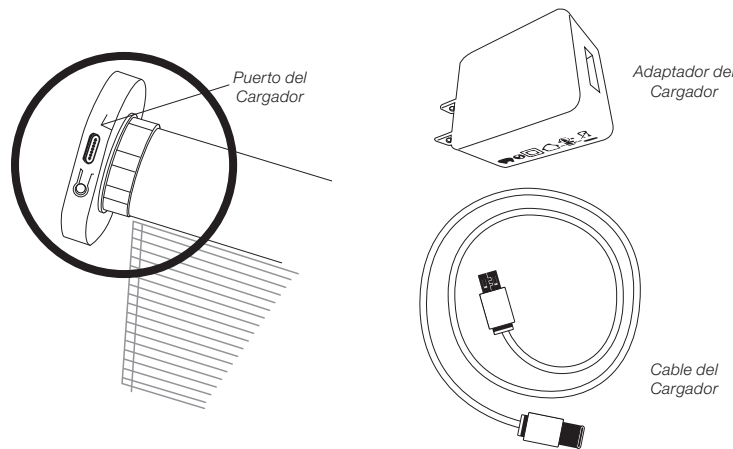
Operado de la Cortina

Para subir o bajar la cortina, use el control remoto tal y como se describió anteriormente.

Cargado de Baterías

Conecte el cargador AC al cable fijado al cabezal del motor – cargue por 8 horas.

NOTA: Cada batería/motor debería ser cargada al menos una vez cada 6 meses.



Instalación/Reemplazo de Baterías del Control Remoto

Quite la cubierta en la parte posterior del control remoto quitando el tornillo y deslizando la placa trasera ligeramente hacia arriba (o abra la escotilla de acceso para el control remoto de 16 canales) – instale una batería tipo disco de 3V [CR2032] como se muestra en la ilustración.

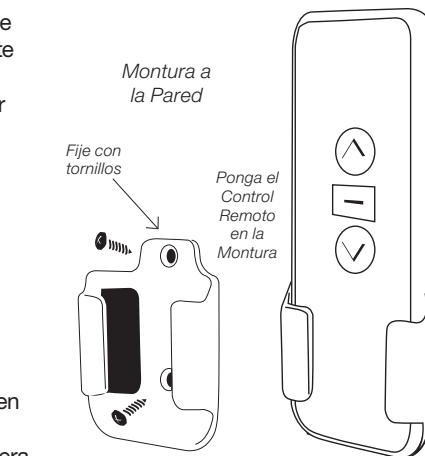
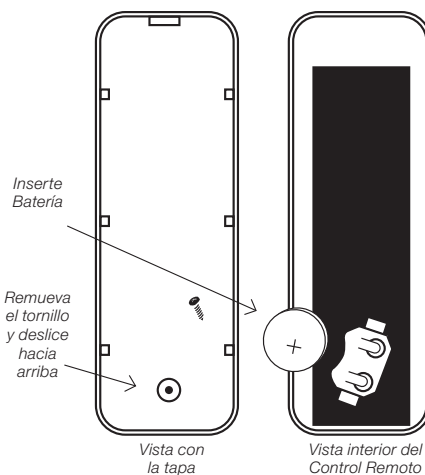
Instalación de la Montura a Pared (opcional)

Fije la montura usando los tornillos proveídos (use tarugos en paredes huecas), o despegue la lámina del adhesivo en la parte posterior y presione en el lugar deseado en la pared o cualquier superficie limpia y plana.

SERVICIO AL CLIENTE: 1-800-264-1190

Instrucciones Generales de Seguridad para Cortinas Motorizadas

- No exponga el motor o transmisor a humedad o temperaturas extremas
- No permita que niños jueguen con éste aparato
- El uso o modificación por fuera de lo estipulado en este manual invalida la garantía



- Si el cable o el enchufe eléctrico están dañados, no los use
- Información importante sobre su producto de batería: Las baterías recargables deben reciclarse, no desecharse con la basura doméstica común. Cuando reemplace su sombra, recíclala de acuerdo con las regulaciones ambientales locales. Esto también se aplica a la batería tipo botón en los controles remotos.

Declaración sobre el Cumplimiento con Normas del FCC

Este producto cumple con la Parte 15 del Código del FCC. Su operación está sujeta a las siguientes condiciones:

- 1) Este aparato podría causar interferencia, y
- 2) Este aparato debe aceptar cualquier interferencia recibida, incluyendo interferencia que cause su operación errática.

Nota:

Se ha probado que este equipo cumple con 15 de las normas del FCC. Estos límites están diseñados para proveer una protección razonable contra interferencias perjudiciales en una instalación casera. El equipo genera, usa y puede irradiar energía de radio frecuencia y, de no ser instalado de acuerdo a las instrucciones, podría interferir perjudicialmente con radio-comunicaciones.

Sin embargo, no hay garantía que la interferencia no ocurra en alguna instalación en particular. Si el equipo causa interferencia en la recepción en radio o televisión, que puede determinarse encendiendo y apagando el aparato, se pide al usuario el tratar de corregir la interferencia tomando alguna de las siguientes medidas::

- Reoriente o re-localice la antena.
- Incremente la separación entre el equipo y el receptor.
- Conecte el equipo a una toma o circuito eléctrico diferente al que el receptor está conectado.
- Consulte o pida ayuda al almacén o a un técnico experto en radio y televisión.

Cualquier cambio o modificación no expresamente aprobada por la entidad responsable del cumplimiento podría anular la autoridad del usuario a operar este equipo.

Radio Technology Motor & Controls for Custom Shades

Wire-free Rechargeable Motor System

PROGRAMMING AND OPERATION OF RADIO TECHNOLOGY MOTORS

Activating the motor: Press the program button until the Red indicator light flashes – the motor is now “ON”

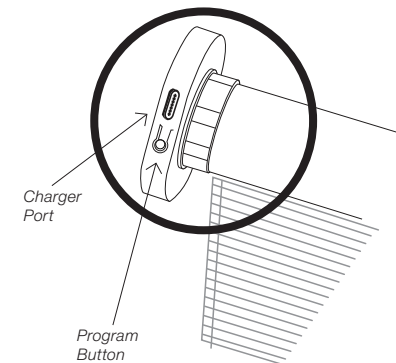
NOTE: that the battery for each shade is partially charged at the factory prior to shipment.

1. Channel Selection for Each Shade

A channel number must be assigned to each motor/shade. The assigned numbers should be sequential starting with #1 (1, 2, 3 etc.). Press the channel buttons/arrows to select a dedicated channel for each shade prior to mating each shade/motor to the remote controller.

2. Programming/Mating

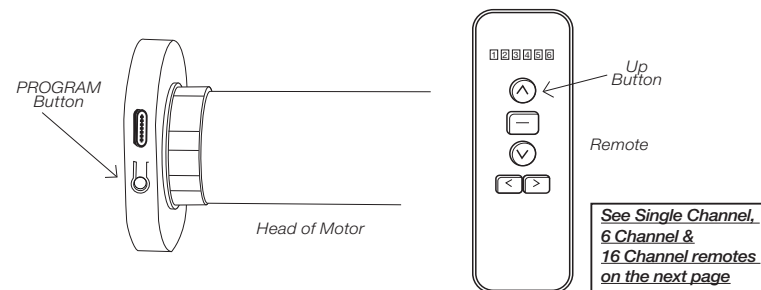
Identify the head of the motor housing (see drawing) - Press the PROGRAM button until the shade oscillates (the shade will oscillate - a quick back and forth movement of the shade) Press the UP button on the remote (see drawing) – the shade will oscillate again – the motor and transmitter are now mated.



3. Setting UP and DOWN Limit Positions

Set the UP position:

Move the shade 6” to 10” below the desired upper limit by pressing the UP or DOWN arrows/buttons on the remote. Press the PROGRAM button on the back of the remote – the motor will oscillate – this puts the motor in program mode. Now move the shade up to the desired UP position and press the program button again – the motor will oscillate and the upper limit is now set.



Set the DOWN position:

Move the shade down from the upper limit position to a point 6” to 10” from the bottom, and then press the PROGRAM button on the back of the remote – the motor will oscillate and is once again in program mode. Now move the shade to the desired DOWN position and press the PROGRAM button - the motor will oscillate and the lower limit is now set. NOTE: after all limits are set, see the remote control operating instructions below.

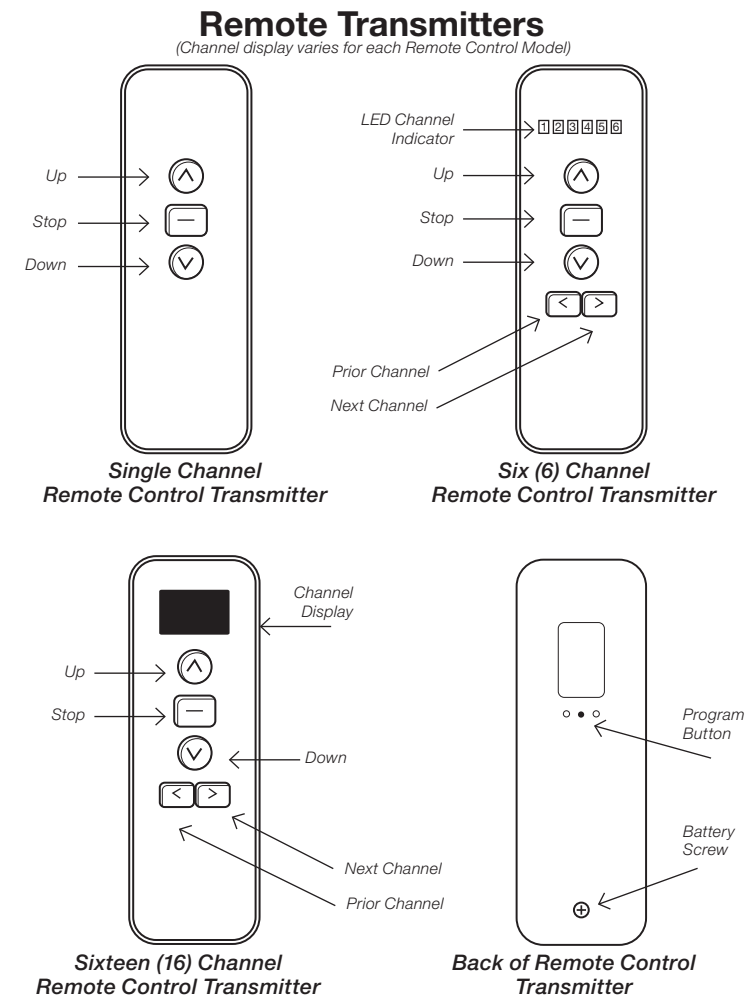
4. Setting Intermediate Positions & Other Settings

Setting INTERMEDIATE positions

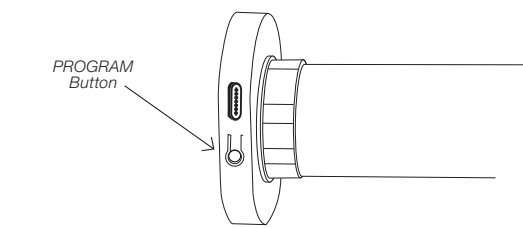
Up to (4) intermediate positions can be set.

Move the shade at least 6 inches away from the previously set limits – press the PROGRAM button on the rear of the remote – the motor will oscillate and is now in program mode.

Now move the shade to any desired intermediate STOP position and press the PROGRAM button again – the motor will oscillate and the intermediate STOP position is now set. Repeat this process to set additional intermediate STOP positions. When setting a limit, if there is no action within 30 seconds, the motor will automatically exit the limit programming mode.



Motor Head



Limit Position Fine Tuning:

Move the shade to the limit position that you wish to adjust. Press the program button on the rear of the remote – the motor will oscillate and is now in limit setting mode. Use the UP/DOWN buttons on the remote to establish a new position – press the program button on the rear of the remote – the motor will oscillate and the fine-tune setting is now complete.

Erasing Limits:

Note: the 1st/Upper limit cannot be erased – it can only be eliminated by deleting all memory

Move the shade to the limit position that you wish to erase – press and hold the PROGRAM button on the rear of the remote for approximately 7 seconds – the motor will oscillate once when the button is pressed and a 2nd time after approximately 7 seconds - the limit has been erased.

Deleting Memory (factory reset)

To Delete All Memory: Press the program button on the head of the motor 4 times (@ one second intervals), press once, wait for the LED to flash RED – press a 2nd time, wait for a flash – press the 3rd time, wait for 2 flashes – press the 4th time, wait for 2 flashes, the motor will oscillate. All memory is now erased.

Deleting Memory for a Single Channel: Set the remote transmitter on the channel to be deleted. Press the STOP button for approximately 5 seconds – the motor will oscillate. Now press the program button on the rear of the remote – the motor will oscillate and the single channel is deleted.

Changing Motor Direction: Motor direction is pre-set at the factory. So, under normal circumstances there should be no need to change/reverse motor direction. However, polarity can be reversed as follows: Press and hold the STOP button on the remote – the motor will oscillate. Then press and hold the DOWN button on the remote – the motor will oscillate again – motor direction is now reversed.

Programming Multiple Shades to a Single Channel, or to a Single Channel Remote: One motor at a time can be mated to a single channel – all other motors must be turned OFF during the mating process. After mating the first of multiple motors, turn it OFF, then turn ON the next motor to be mated, and repeat the process until all motors are mated, and then turn ON all of the motors.

How to turn OFF a motor: Press and hold the PROGRAM button on the motor head for approximately 8 seconds – release after the red LED flashes three times.

Adding a Remote: The programmed information on an existing remote can be copied onto a new remote. When adding a remote, each channel/shade must be copied individually, one at a time. Start by selecting any desired channel on both remotes. Place the remotes side-by-side. Press and hold the STOP button on the already programmed remote for approximately 5 seconds – the shade motor will oscillate. Immediately press the UP button on the new remote – the new remote has now been programmed for the chosen channel.

Repeat this procedure for each channel that you want programmed on the new remote.

Using the Remote Control Transmitter

Press the UP/DOWN button once and the shade will move to the next pre-set limit position.

Press the UP/DOWN button twice at the speed of once per second and the shade will move to the UP or DOWN limit position without stopping at any intermediate position.

When the up position has been reached, the UP button becomes non-functional, and when the down position has been reached the DOWN button becomes non-functional.

Installation/Replacement of the Remote Control Battery

Remove the cover on the rear of the remote by removing the screw and sliding the back plate upward slightly (or open the access hatch for the 16CH remote) – install a 3V [CR2032] disk type battery as illustrated.

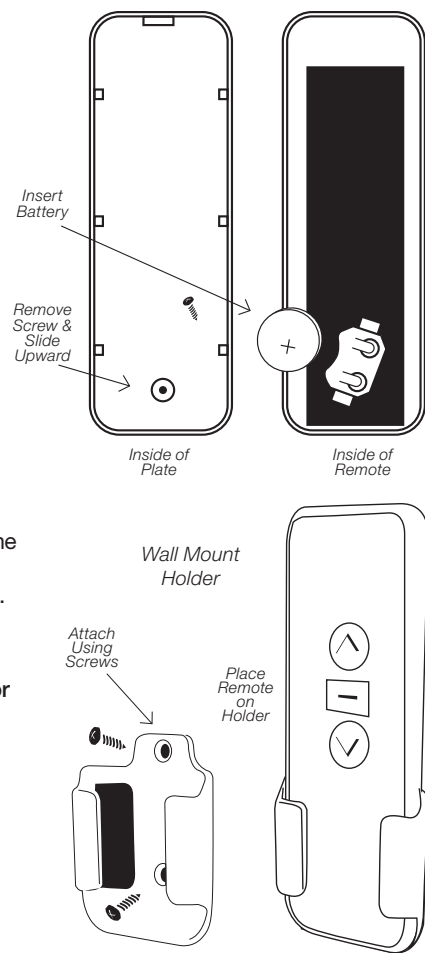
Installation of Optional Wall Mount Holder

Attach the remote holder using the screws provided (use wall anchors for hollow dry wall), or peel the foil off the adhesive pad on the back of the remote holder and press it into place on any clean flat surface.

CUSTOMER SERVICE: 1-800-264-1190

General Safety Instructions for Motorized Shades

- Do not expose the motor or transmitter to moisture or extreme temperatures
- Do not allow children to play with this device
- Use or modification outside the scope of this instruction manual will void the warranty
- If cable or power connector is damaged, do not use



Motor y Controles con Radio Tecnología Para Persianas a la Medida

Sistema de Motor Recargable sin Cables

PROGRAMACION Y OPERACION DE MOTORES DE RADIO TECNOLOGIA

Activación del motor: Presione el botón de programa durante 1 segundo - la luz indicadora roja parpadeará - el motor ahora está "ENCENDIDO"

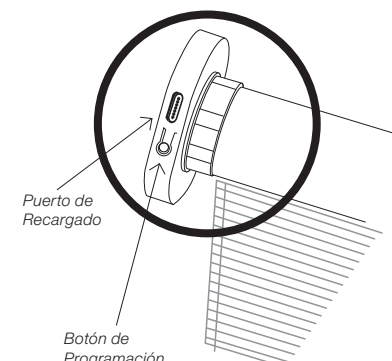
NOTA: la batería de cada cortina esté parcialmente cargada en la fábrica antes del envío.

1. Selección de Canal para Cada Lado

Se debe asignar un número de canal a cada motor/persiana. Los números asignados deben ser secuenciales comenzando con el #1 (1, 2, 3, etc.). Presione los botones/flechas de canal para seleccionar un canal dedicado para cada cortina antes de emparejar cada cortina/motor con el control remoto.

2. Programación/Asociación

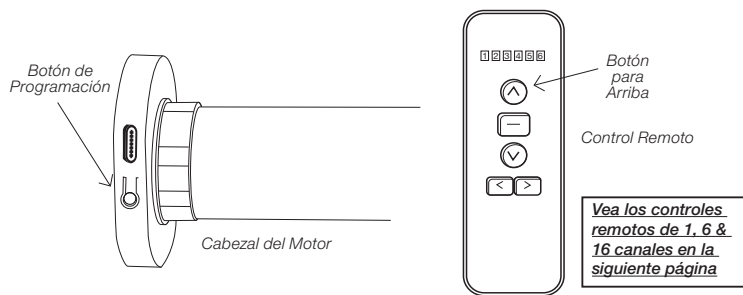
Identifique el lugar de alojamiento del motor (vea el dibujo) - Presione el botón PROGRAMAR hasta que la persiana oscile (movimiento rápido hacia adelante y hacia atrás) Presione el botón ARRIBA en el control remoto (vea el dibujo) - la persiana oscilará nuevamente - el motor y el transmisor ahora están acoplados.



3. Ajuste de límites superior e Inferior "UP & DOWN"

Ajuste posición Superior "UP": Baje la persiana de 6" a 10" por

debajo del límite superior presionando las flechas/botones ARRIBA o ABAJO en el remoto. Presione el botón PROGRAM en la parte posterior del remoto; el motor oscilará; esto pone el motor en modo de programación. Ahora mueva la persiana hasta la posición ARRIBA deseada y presione el botón de programa nuevamente; el motor oscilará y el límite superior ahora está establecido.



Ajuste posición Inferior "DOWN":

Baje la persiana desde la posición límite superior hasta un punto de 6" a 10" de la parte inferior, y presione el botón PROGRAMAR en la parte posterior del remoto: el motor oscilará y volverá a estar en el modo de programación. Ahora mueva la persiana a la posición ABAJO deseada y presione el botón PROGRAMAR; el motor oscilará y el límite inferior ya está establecido.

NOTA: luego de establecer todos los límites, consulte las instrucciones de funcionamiento del control remoto a continuación.

4. Ajuste de Posiciones Intermedias y Otros Ajustes

Ajuste de posición INTERMEDIA

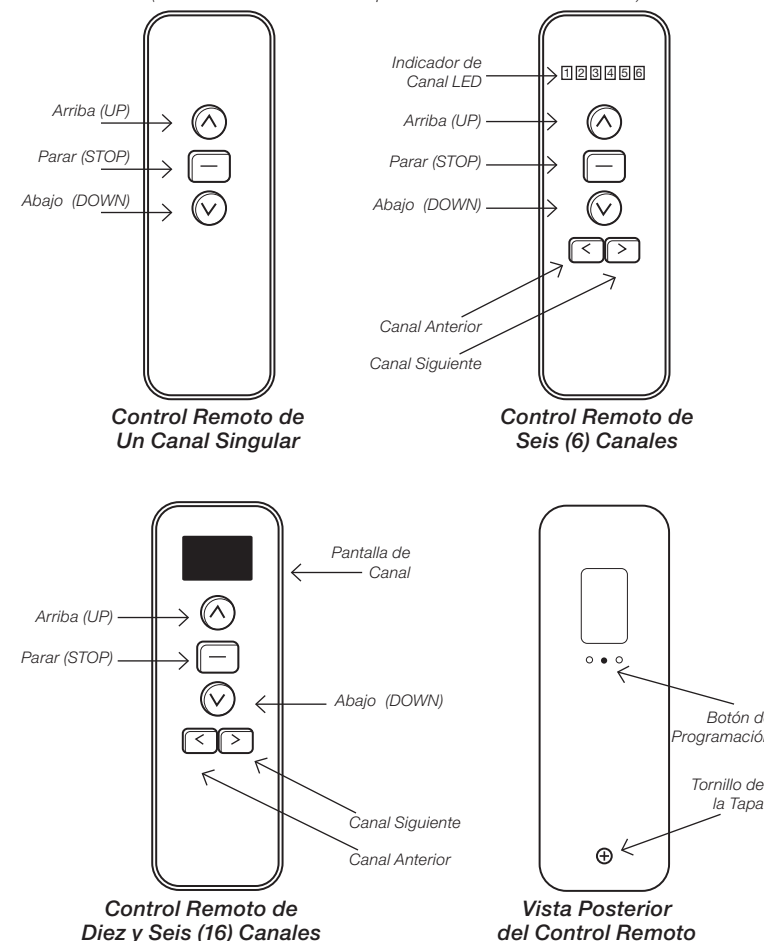
Se pueden establecer hasta (4) posiciones intermedias.

Mueva la cortina a al menos 6" de los límites previamente establecidos - presione PROGRAM en la parte posterior del remoto - el motor oscilará y quedará en modo de programación.

Ahora mueva la persiana a cualquier posición de PARAR intermedia que desee y presione el botón PROGRAMAR nuevamente; el motor oscilará y la posición de PARAR intermedia ya está configurada. Repita este proceso para establecer posiciones intermedias adicionales. Al establecer un límite, si no se

Transmisores de Control Remoto

(La visualización del canal varía para cada modelo de control remoto)



Controlling Multiple Shades Simultaneously

6 Channel Remote: press the channel selector until all six lights are lit to control up to 6 shades at the same time using the remote control as described above.

16 Channel Remote: press the channel selector button until "CC" appears in the display window to control up to 16 shades at the same time using the remote control as described above.

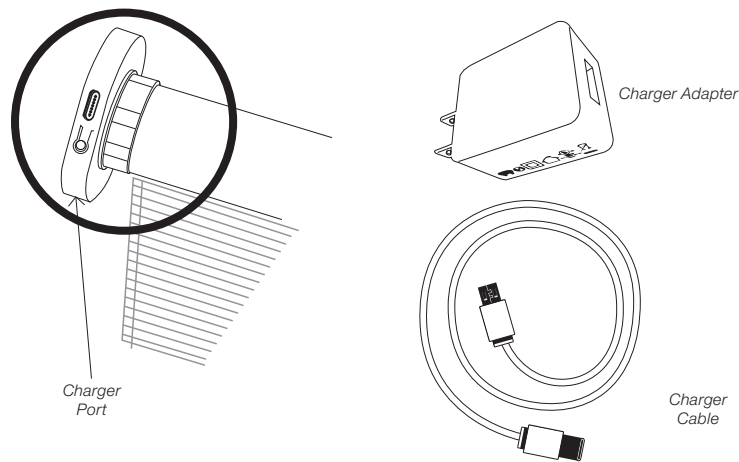
Operating the Shade

To raise and lower the shade, use the remote control as described above.

Charging the Batteries

Connect the AC Charger to the Charger Cable attached to the motor head – charge for 8 hours.

NOTE: Each battery/motor should be charged at least once every 6 months.



Important Information about your battery powered product:

Rechargeable batteries should be recycled, not disposed of with common household trash. When/if you replace your shade, please recycle in accordance with local environmental regulations. This also applies to the button type battery in the remote control(s).

Statement Regarding FCC Compliance

This device complies with Part 15 of the FCC rules. Operation is subject to the following two conditions:

- 1) This device may not cause interference, and
- 2) This device must accept any interference received, including interference that may cause undesired operation.

Note:

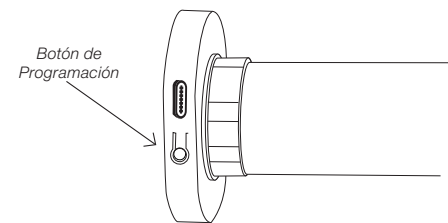
This equipment has been tested and found to comply with 15 of the FCC Rules. These limits are designed to provide reasonable protection against harmful interference in a residential installation. This equipment generates, uses and can radiate radio frequency energy and, if not installed and used in accordance with the instructions, may cause harmful interference to radio communications.

However, there is no guarantee that interference will not occur in a particular installation. If this equipment does cause harmful interference to radio or television reception, which can be determined by turning the equipment off and on, the user is encouraged to try to correct the interference by one or more of the following measures:

- Reorient or relocate the receiving antenna.
- Increase the separation between the equipment and the receiver.
- Connect the equipment into an outlet on a circuit different from that to which the receiver is connected.
- Consult the dealer or an experienced radio/TV technician for help.

Any changes or modifications not expressly approved by the party responsible for compliance could void the users authority to operate the equipment.

Cabezal del Motor



realiza ninguna acción en 30 segundos, el motor saldrá automáticamente del modo de programación.

Afinamiento de Posiciones Límites: mueva la persiana a la posición límite que desee ajustar. Presione el botón de programa en la parte posterior del remoto: el motor oscilará y entra en modo de configuración de límites. Use los botones ARRIBA/ABAJO en el remoto para establecer una nueva posición; presione el botón de programa en la parte posterior del remoto; el motor oscilará y la configuración de ajuste fino ahora está completa.

Eliminación de Límites:

Nota: el primer límite superior no puede eliminarse – solo se elimina cuando borra totalmente la memoria

Mueva la persiana a la posición límite que desea borrar: mantenga presionado el botón PROGRAM en la parte posterior del remoto durante aproximadamente 7 segundos; el motor oscilará una vez cuando se presione el botón y una segunda vez después de aproximadamente 7 segundos; el límite ha sido borrado.

Borrado de Memoria (restablecimiento de fábrica)

Borrar TODA la memoria: Presione el botón de programar en el motor 4 veces (@ intervalos de un segundo), presione una vez, espere a que el LED parpadee ROJO - presione una segunda vez, espere un destello - presione la tercera vez, espere 2 destellos - presione la cuarta vez, espere 2 destellos, el motor oscilará. Ahora se borra toda la memoria.

Borrado de memoria para un solo canal: Configure el remoto en el canal que desea eliminar. Presione PARAR durante 5 segundos; el motor oscilará. Ahora presione el botón de programar en la parte posterior del remoto: el motor oscilará y se eliminará el canal único.