



Hemtack

ENGINEERING CHANGE ORDER

REQUEST DATE	7/27/2022	REQUESTED BY	H. AMEZQUITA	REQUESTED RELEASE DATE	8/1/2022	ECO #	ECO-00071
AFFECTED PRODUCT LINES	MOTORIZED PRODUCTS WITH ROLLESED HD AUTOMATE MOTORS (KIT #20)						
REASON FOR CHANGE	UPDATE KIT CHART PER SUPPLIER CHANGE ON CROWN AND DRIVE KIT (MTCRDR-35-2), SEE ROLLESE PCL ON PAGE 4						
DESCRIPTION OF CHANGE	UPDATE KIT CHART WITH NEW IMAGE FOR MPMI1170.						
COST IMPACT	N/A						
DOCUMENT / PART NUMBER	OLD REV	NEW REV	DOCUMENT/ PART DESCRIPTION	CHANGE DESCRIPTION	FORM, FIT, OR FUNCTION AFFECTED <small>Yes, or No</small>	PART DISPOSITION <small>(USE AS IS) (REWORK) (SCRAP) (OBSOLETE) (RETURN TO VENDOR) (OTHER)</small>	
KIT #20	2	3	KIT PARA MOTORIZACION DE PRODUCTO #20	CHANGE REVISION FROM 2 TO 3 IMAGE UPDATED FOR MPMI1170	NO	N/A	
ADDITIONAL INFORMATION	N/A						
AFFECTED DOCUMENTS / PROCESSES (CHECK ALL THAT APPLY)							
BOM / CONFIG	<input type="checkbox"/>	PRODUCT / PART SPEC	<input checked="" type="checkbox"/>	QC CHECKLIST	<input checked="" type="checkbox"/>	PART DRAWING	<input type="checkbox"/>
				ASSEMBLY DRAWING	<input type="checkbox"/>	INSTR SHEET	<input checked="" type="checkbox"/>
				PROCESS VISUAL AIDS	<input checked="" type="checkbox"/>	WORK INSTRUCTIONS	<input checked="" type="checkbox"/>
ECO APPROVALS ROUTING							
APPROVER	APPROVAL REQUIRED	APPROVER NAME	APPROVAL STATUS	APPROVED ON	NOTES		
PHASE II MANAGEMENT (US - DL)	<input checked="" type="checkbox"/>	T. DAVIDSON	APPROVED	07/28/2022			
PHASE II PROD DEV (US - NY)	<input checked="" type="checkbox"/>	L. HUNT	APPROVED	09/06/2022			
MANAGEMENT (MX)	<input checked="" type="checkbox"/>	L. MONTEJO	APPROVED	09/08/2022			
QC / ENG (MX)	<input checked="" type="checkbox"/>	H. AMEZQUITA	APPROVED	07/28/2022			
IT (MX)	<input checked="" type="checkbox"/>	E. CASTELLANOS	APPROVED	07/29/2022			
PRODUCTION (MX)	<input type="checkbox"/>						
MATERIALS (MX)	<input type="checkbox"/>						
ACTIONS REQUIRED							
BOM / CONFIG	<input type="checkbox"/>	WILL BE MODIFIED BY IT (MX)					
PRODUCT / PART SPEC	<input checked="" type="checkbox"/>	WILL BE MODIFIED QC / ENG (MX)					

QC CHECKLIST	<input checked="" type="checkbox"/>	WILL BE MODIFIED QC / ENG (MX)
PART DRAWING	<input type="checkbox"/>	WILL BE MODIFIED QC / ENG (MX)
ASSEMBLY DRAWING	<input type="checkbox"/>	WILL BE MODIFIED QC / ENG (MX)
INSTR SHEET	<input checked="" type="checkbox"/>	WILL BE MODIFIED PHASE II (USA)
PROCESS VISUAL AIDS	<input checked="" type="checkbox"/>	WILL BE MODIFIED QC / ENG (MX)
WORK INSTRUCTIONS	<input checked="" type="checkbox"/>	WILL BE MODIFIED QC / ENG (MX)




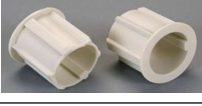

PICTURES, DRAWINGS, ETC.

	KIT PARA MOTORIZACIÓN DE PRODUCTO									KIT #
	APLICABLE A:	MARCA DE MOTOR:	MODELO DE MOTOR:	TUBO A USAR:			REV:	FECHA REV:		20
	ROLLER, ROMANAS	ROLLEASE	MT01-1335-069001	2	PULG	51	MM	3	07/27/22	

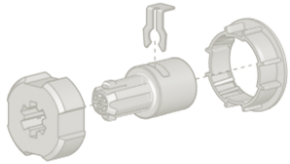
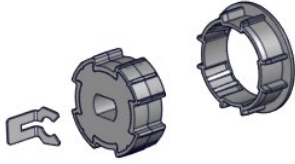
COMPONENTES EN KIT

NÚMERO DE PARTE	DESCRIPCIÓN	USO	UM	ROLLER		ROMANAS	IMAGEN DE REFERENCIA	INFORMACIÓN ADICIONAL
				SIN CASSETTE	CON CASSETTE	ESTÁNDAR		
MPMI1312	AUTOMATE 5V LI-ION 35MM MOTOR	1	PZA	●	●	●		
MPMI1292	4M RECHARGE CABLE FOR 5V LI-ON MOTOR	1	PZA	●	●	●		
MPMI1291	USB WALL CHARGER WHITE US PLUG UNIVERSAL	1	PZA	●	●	●		
MPMI1170	CROWN & DRIVE SET FOR 35MM MOTOR IN 2.0" TUBE	1	PZA	●	●	●		
MPMI1171	SKYLINE MOTOR ADAPTER FOR 25/28/35MM	1	PZA	●	●	●		
MPMI1172	SCREWS FOR SL MOTOR ADAPTER	2	PZA	●	●	●		
MPMI1174	15 CHANNEL REMOTE CONTROL TRANSMITTER	1	PZA	●	●	●		
MPMI1251	SMART HOME REMOTE CONTROL - 15 CHANNELS			●	●	●		USO EXCLUSIVO EN ÓRDENES DE BUDGET BLINDS

COMPONENTES EN PUNTO DE USO

MPMI0422	SL BRACKET FOR CASS-120	2	PZA		●			
MPMI0275	BRACKET 2"	2	PZA	●		●		
MPMI0788	PIN END SKYLINE 1-1/2" HEAVY DUTY WHITE	1	PZA	●	●	●		
MPMI0781	ADAPTER FOR 2"(50MM) TUBE WHITE	1	PZA	●	●	●		
MPMI0150	C-CLIP 1.5" METAL	1 A 6	PZA			●		

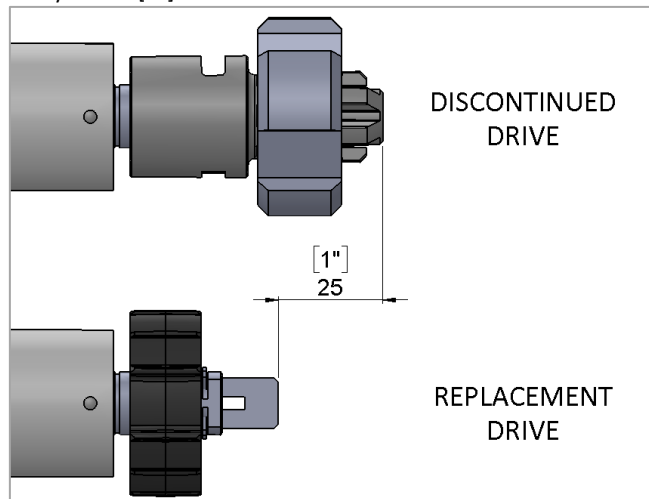
PRODUCT CHANGE | Crown&Drive Set for 35mm motor in 2.0" Ribbed tube

	DISCONTINUED PRODUCT	REPLACEMENT PRODUCT	CHANGES MADE	
			YES	NO
DESCRIPTION.	Crown & Drive Set for 35mm motor in 2.0" ribbed tube	Crown & Drive Set for 35mm motor in 2.0" ribbed tube	<input type="checkbox"/>	<input checked="" type="checkbox"/>
CODE.	MTCRDR-35-2	MTCRDR-35-2	<input type="checkbox"/>	<input checked="" type="checkbox"/>
PACK SIZE.	CT10	CT10	<input type="checkbox"/>	<input checked="" type="checkbox"/>
PRICE.	\$3.49	\$2.86	<input checked="" type="checkbox"/>	<input type="checkbox"/>
IMAGE.			<input checked="" type="checkbox"/>	<input type="checkbox"/>
USE WITH.	35mm Automate Motors, 2" Ribbed Tube		<input type="checkbox"/>	<input checked="" type="checkbox"/>
TRANSITIONING.	March 2020			

IMPROVEMENTS / CHANGES

PRODUCTION / INSTALLATION IMPROVEMENTS

- Single piece drive design (reduced assembly time)
- Reduced minimum blind width by 25mm [1"]



CHANGES MADE	
YES	NO
<input checked="" type="checkbox"/>	<input type="checkbox"/>

FUNCTIONAL IMPROVEMENTS / CHANGES

- Soft outer body for quiet operation
- Improved torque capacity
- Improved resistance to heat degradation
- Reduced cost
- Reduced minimum width
- Rubberized ribs grip tube for a better fit

CHANGES MADE	
YES	NO
<input checked="" type="checkbox"/>	<input type="checkbox"/>

AESTHETIC IMPROVEMENTS / CHANGES

CHANGES MADE	
YES	NO
<input type="checkbox"/>	<input checked="" type="checkbox"/>

Hugo Amezquita

From: Roger Gibson <roger.gibson@rolleaseacmeda.com>
Sent: Wednesday, July 27, 2022 11:54 AM
To: Hugo Amezquita
Cc: leehunt666@gmail.com; 'Lee Hunt'
Subject: RE: MTCRDR-35-2 Components
Attachments: mtrcdr-35-2_pcl_us.pdf

I apologize Hugo! I was wrong. This change was done in March 2020. Attached is the PCL.

Roger Gibson
Inside Sales Representative
O 203 490 6793



From: Roger Gibson
Sent: Wednesday, July 27, 2022 2:49 PM
To: Hugo Amezquita <hamezquita@hemtack.com>
Cc: leehunt666@gmail.com; 'Lee Hunt' <lee@phaseii.com>
Subject: RE: MTCRDR-35-2 Components

Hi Hugo,
Product management got back to me.
They stated that the part circled was used as a shaft adapter in order to make our flat shaft motor work with Somfy
Crowns and Drives.

The 2" tube adapter was modified in the beginning of last year to fit our 35mm motor.

Roger Gibson
Inside Sales Representative
O 203 490 6793



From: Roger Gibson
Sent: Wednesday, July 27, 2022 2:17 PM
To: Hugo Amezquita <hamezquita@hemtack.com>
Cc: leehunt666@gmail.com; 'Lee Hunt' <lee@phaseii.com>
Subject: RE: MTCRDR-35-2 Components

Hi Hugo,

I'm double checking this with product management but it looks to me like the picture at the bottom is a kit for the crown and drive set for the 28mm motor.

The part that's missing looks like the drive adapter that makes the drive fit on the 28mm motor.

I will get that confirmed and get back to you.

The 35mm motor doesn't require an adapter for the drive so it doesn't come in the kit.

Roger Gibson

Inside Sales Representative

☎ 203 490 6793



From: Hugo Amezquita <hamezquita@hemtack.com>

Sent: Wednesday, July 27, 2022 1:24 PM

To: Roger Gibson <roger.gibson@rolleseeacmeda.com>

Cc: leehunt666@gmail.com; 'Lee Hunt' <lee@phaseii.com>

Subject: MTCRDR-35-2 Components

Hi Roger,

Have the components on this kit (MTCRDR-35-2) changed recently?

It looks like we are receiving without the component indicated in the last picture.

Thanks,

**ROLLEASE
ACMEDA**

180 Harvard Ave. Stamford, CT 06902 USA (203) 964-1573
www.rollenseacmeda.com

MTCRDR-35-2

Crown & Drive Set for 35mm motor in 2.0" Rib tube



Quantity: 10 EA

Lot No: 11/12/2021

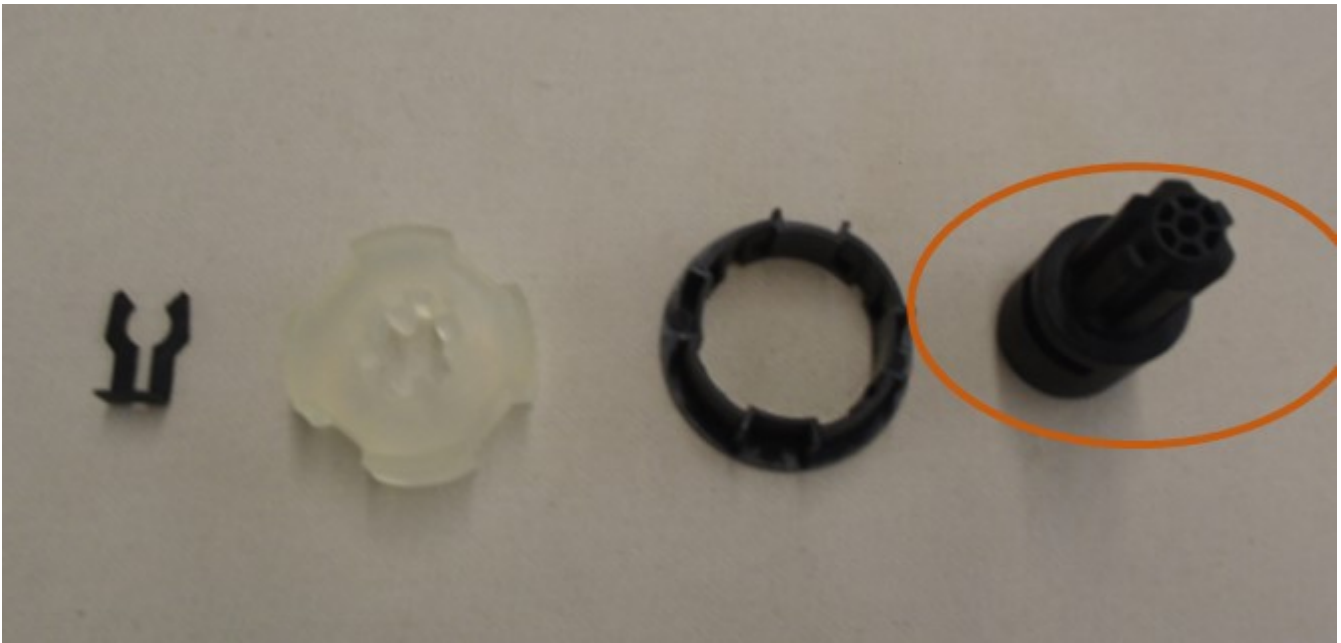


Item No: MTCRDR-35-2



Qty: 10





Hugo A.