



Hemtack

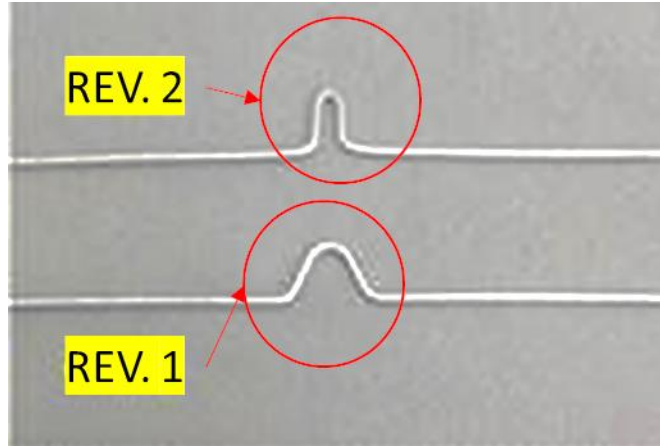
ENGINEERING CHANGE ORDER

REQUEST DATE	10/11/2021	REQUESTED BY	H. AMEZQUITA	REQUESTED RELEASE DATE	10/15/2021	ECO #	ECO-00042
AFFECTED PRODUCT LINES	958, 953 AND 957 PROGRAMS (WOVEN WOOD ROMAN SHADES)						
REASON FOR CHANGE	REVISION CHANGE OF MPMI0986 WOVEN WOOD CORDLESS METAL PIN - 1.6MM X 152MM						
DESCRIPTION OF CHANGE	CHANGE DESIGN OF MPMI0986 WOVEN WOOD CORDLESS METAL PIN - 1.6MM X 152MM TO STANDARDIZE FOR USE IN ALL WOVEN WOOD SHADES.						
COST IMPACT	N/A						
DOCUMENT / PART NUMBER	OLD REV	NEW REV	DOCUMENT/ PART DESCRIPTION	CHANGE DESCRIPTION	FORM, FIT, OR FUNCTION AFFECTED <small>Yes, or No</small>	PART DISPOSITION <small>(USE AS IS) (REWORK) (SCRAP) (OBSOLETE) (RETURN TO VENDOR) (OTHER)</small>	
MPMI0986	1	2	WOVEN WOOD CORDLESS METAL PIN - 1.6MM X 152MM	REVISION CHANGE CHANGE DESIGN TO STANDARDIZE AND FACILITATE THE USE OF METAL PIN IN ALL WOVEN WOOD SHADES, INCLUDING THE THIGHTER WOVEN WOOD PATTERNS (957 PROGRAM) SEE REDLINE IN PICTURE ON PAGE 2.	NO	USE AS IS	
ADDITIONAL INFORMATION	REV. 1 OF MPMI0986 WILL BE USED AS IS.						
AFFECTED DOCUMENTS / PROCESSES (CHECK ALL THAT APPLY)							
BOM / CONFIG	<input type="checkbox"/>	PRODUCT / PART SPEC	<input checked="" type="checkbox"/>	QC CHECKLIST	<input type="checkbox"/>	PART DRAWING	<input type="checkbox"/>
				ASSEMBLY DRAWING	<input type="checkbox"/>	INSTR SHEET	<input type="checkbox"/>
				PROCESS VISUAL AIDS	<input checked="" type="checkbox"/>	WORK INSTRUCTIONS	<input checked="" type="checkbox"/>
ECO APPROVALS ROUTING							
APPROVER	APPROVAL REQUIRED	APPROVER NAME	APPROVAL STATUS	APPROVED ON	NOTES		
PHASE II MANAGEMENT (US - DL)	<input checked="" type="checkbox"/>	T. DAVIDSON	APPROVED	10/11/2021			
PHASE II PROD DEV (US - NY)	<input checked="" type="checkbox"/>	L. HUNT	APPROVED	10/18/2021			
MANAGEMENT (MX)	<input checked="" type="checkbox"/>	L. MONTEJO	APPROVED	10/18/2021			
QC / ENG (MX)	<input checked="" type="checkbox"/>	H. AMEZQUITA	APPROVED	10/14/2021			
IT (MX)	<input checked="" type="checkbox"/>	E. CASTELLANOS	APPROVED	10/13/2021			
PRODUCTION (MX)	<input type="checkbox"/>						
MATERIALS (MX)	<input type="checkbox"/>						

ACTIONS REQUIRED

BOM / CONFIG	<input type="checkbox"/>	WILL BE MODIFIED BY IT (MX)
PRODUCT / PART SPEC	<input checked="" type="checkbox"/>	WILL BE MODIFIED QC / ENG (MX)
QC CHECKLIST	<input type="checkbox"/>	WILL BE MODIFIED QC / ENG (MX)
PART DRAWING	<input type="checkbox"/>	WILL BE MODIFIED QC / ENG (MX)
ASSEMBLY DRAWING	<input type="checkbox"/>	WILL BE MODIFIED QC / ENG (MX)
INSTR SHEET	<input type="checkbox"/>	WILL BE MODIFIED PHASE II (USA)
PROCESS VISUAL AIDS	<input checked="" type="checkbox"/>	WILL BE MODIFIED QC / ENG (MX)
WORK INSTRUCTIONS	<input checked="" type="checkbox"/>	WILL BE MODIFIED QC / ENG (MX)

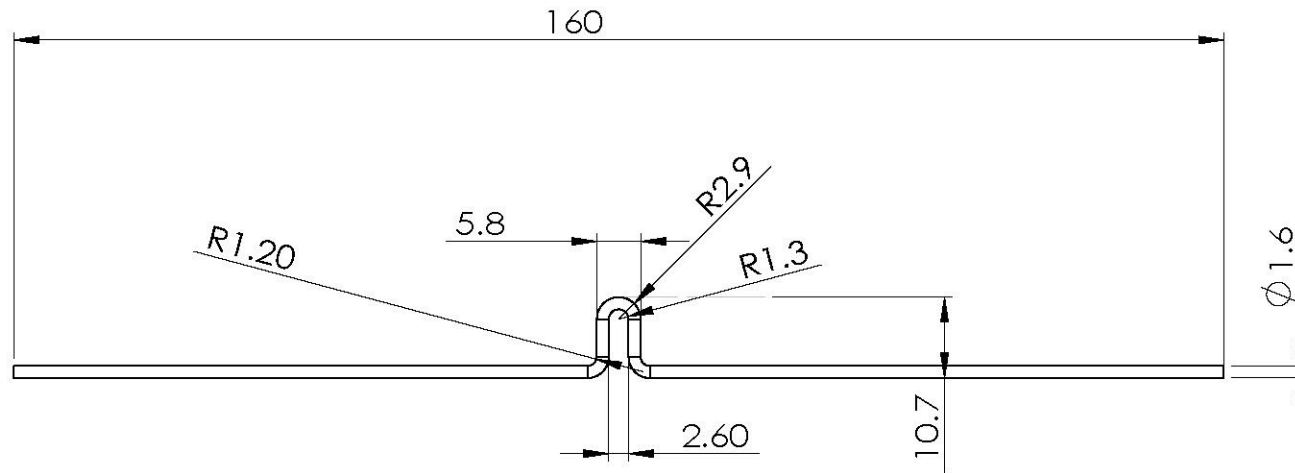
PICTURES, DRAWINGS, ETC.



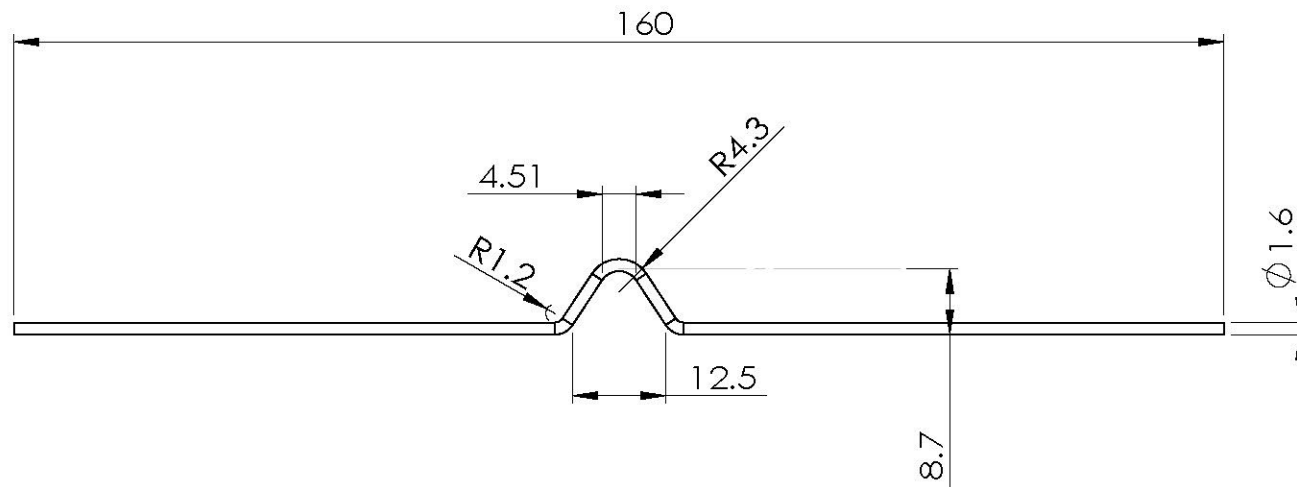
Cordless Woven Bamboo Shade - Metal Pins

Date : Oct. 12,2021

Material : Stainless



NEW



Current