



Hemtack

# ENGINEERING CHANGE ORDER

REQUEST DATE	8/12/2024	REQUESTED BY	H. AMEZQUITA	REQUESTED RELEASE DATE	8/14/2024	ECO #	<b>ECO-00148</b>
AFFECTED PRODUCT LINES	NO DRILL HEADRAIL PRODUCTS (ROLLER AND SOLAR SHADES), SELECT BLINDS USA AND SELECT BLINDS CANADA						
REASON FOR CHANGE	SOLAR AND ROLLER SHADES NO DRILL HEADRAIL SPECIFICATION SHEET AND INSTALLATION INSTRUCTIONS						
DESCRIPTION OF CHANGE	RELEASE SPEC SHEET AND INSTALLATION INSTRUCTIONS FOR NO DRILL HEADRAIL						
COST IMPACT	N/A						
DOCUMENT / PART NUMBER	OLD REV	NEW REV	DOCUMENT/ PART DESCRIPTION	CHANGE DESCRIPTION	FORM, FIT, OR FUNCTION AFFECTED Yes, or No	PART DISPOSITION (USE AS IS) (REWORK) (SCRAP) (OBSOLETE) (RETURN TO VENDOR) (OTHER)	
N/A	1	2	NO DRILL ROLLER/SOLAR SHADES SPECIFICATION SHEET	RELEASE PRODUCT SPEC SHEET SEE PAGE 3	NO	N/A	
MEIN0315	-	1	INSTR SHEET, 8.5 X 11 NO DRILL MTG HR SB USA, ENG	RELEASE INSTRUCTION SHEET SEE PAGES 4-5	NO	N/A	
MEIN0316	-	1	INSTR SHEET, 8.5 X 11 NO DRILL MTG HR SB CAN, ENG-FR	RELEASE INSTRUCTION SHEET SEE PAGES 6-9	NO	N/A	
ADDITIONAL INFORMATION	<b>EXPECTED LAUNCH DATE: 08/06/2024</b>						
AFFECTED DOCUMENTS / PROCESSES (CHECK ALL THAT APPLY)							
BOM / CONFIG	<input checked="" type="checkbox"/>	PRODUCT / PART SPEC	<input checked="" type="checkbox"/>	QC CHECKLIST	<input checked="" type="checkbox"/>	PART DRAWING	<input type="checkbox"/>
				ASSEMBLY DRAWING	<input type="checkbox"/>	INSTR SHEET	<input checked="" type="checkbox"/>
				PROCESS VISUAL AIDS	<input checked="" type="checkbox"/>	WORK INSTRUCTIONS	<input checked="" type="checkbox"/>
ECO APPROVALS ROUTING							
APPROVER	APPROVAL REQUIRED	APPROVER NAME	APPROVAL STATUS	APPROVED ON	NOTES		
PHASE II MANAGEMENT (US - DL)	<input checked="" type="checkbox"/>	T. DAVIDSON	APPROVED	08/13/2024			
PHASE II PROD DEV (US - NY)	<input checked="" type="checkbox"/>	L. HUNT	APPROVED	08/12/2024			
MANAGEMENT (MX)	<input checked="" type="checkbox"/>	L. MONTEJO	APPROVED	08/12/2024			
QC / ENG (MX)	<input checked="" type="checkbox"/>	H. AMEZQUITA	APPROVED	08/12/2024			
IT (MX)	<input checked="" type="checkbox"/>	E. CASTELLANOS	APPROVED	08/12/2024			

PRODUCTION (MX)	<input type="checkbox"/>				
MATERIALS (MX)	<input type="checkbox"/>				

**ACTIONS REQUIRED**

BOM / CONFIG	<input checked="" type="checkbox"/>	WILL BE MODIFIED BY IT (MX)
PRODUCT / PART SPEC	<input checked="" type="checkbox"/>	WILL BE MODIFIED QC / ENG (MX)
QC CHECKLIST	<input checked="" type="checkbox"/>	WILL BE MODIFIED QC / ENG (MX)
PART DRAWING	<input type="checkbox"/>	WILL BE MODIFIED QC / ENG (MX)
ASSEMBLY DRAWING	<input type="checkbox"/>	WILL BE MODIFIED QC / ENG (MX)
INSTR SHEET	<input checked="" type="checkbox"/>	WILL BE MODIFIED PHASE II (USA)
PROCESS VISUAL AIDS	<input checked="" type="checkbox"/>	WILL BE MODIFIED QC / ENG (MX)
WORK INSTRUCTIONS	<input checked="" type="checkbox"/>	WILL BE MODIFIED QC / ENG (MX)

**PICTURES, DRAWINGS, ETC.**



# No-Drill Blinds Headrail



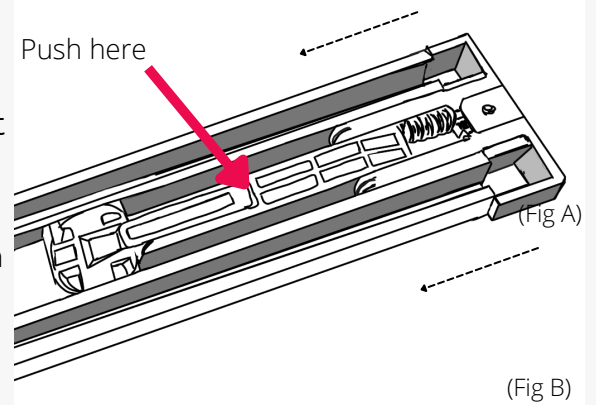
The difficulty level of this installation is ranked at **Level 1**. *A piece of cake!*

If you have questions or get stuck, call our Customer Care Team at 888-257-1840, or email [customer care@selectblinds.com](mailto:customer care@selectblinds.com)

## 1. Preparing the No Drill Blinds Headrail

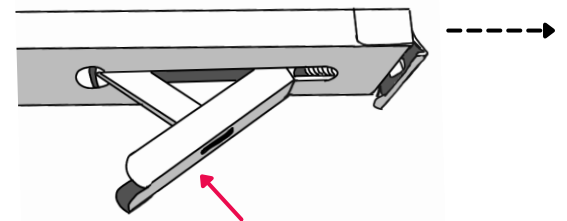
Pull the lever from below or push down on the mechanism from above to retract the tension boot (See Fig B).

Install the metal strips or padded adhesive tape on opposite sides of the window opening where you'll be installing the No-Drill Blinds Headrail. This is optional and only available on larger products.



## 2. Installing the No Drill Blinds Headrail

Insert the No-Drill Blinds Headrail into the window opening, make it flush with the top of the window opening, then push on the lever to extend the tension spring and secure the No-Drill Blinds Headrail. (See Fig C)

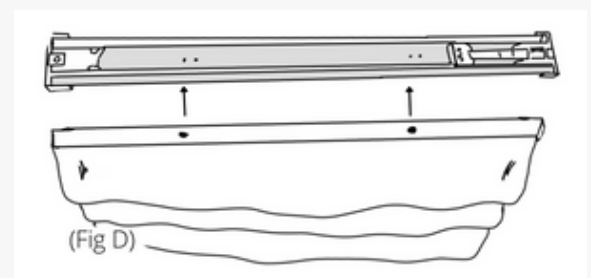


Push the lever in here to extend the spring end.

(Fig C)

## 3. Installing the Product

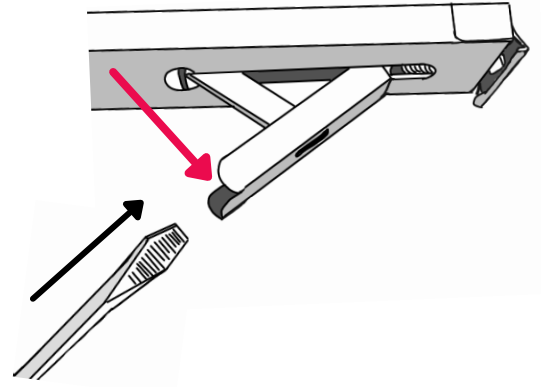
Install the product onto the brackets (See Fig D). Test and operate the product to ensure secure installation and smooth functionality.



## Uninstalling the No Drill Blinds Headrail

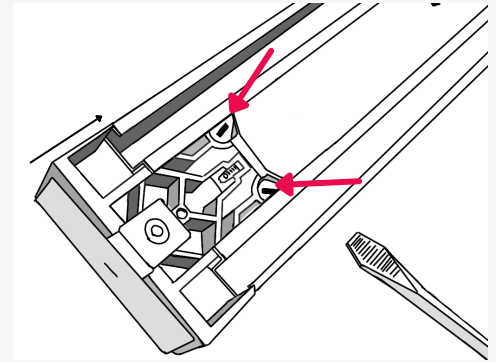
To uninstall the product, follow step 1 by removing the product from the headrail and use a screwdriver to unlatch the lever.

Make sure to hold the No Drill Blinds Headrail in place while unlatching the lever. This will prevent damage to the window or headrail.



### Tech Tip

If the fixed boot end was accidentally forced out, use a flathead screwdriver to twist the red "droplets" towards the center and then push it back in.



Installation Guide

# No-Drill Blinds Headrail



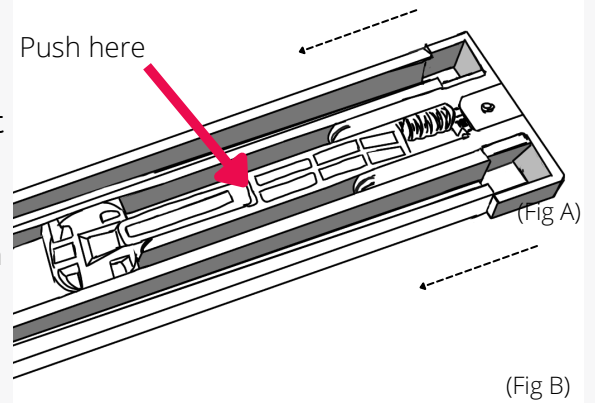
The difficulty level of this installation is ranked at **Level 1 - A piece of cake!**

If you have questions or get stuck, call our Customer Care Team at (888) 685-1735, or email [info@selectblindscanada.ca](mailto:info@selectblindscanada.ca)

## 1. Preparing the No Drill Blinds Headrail

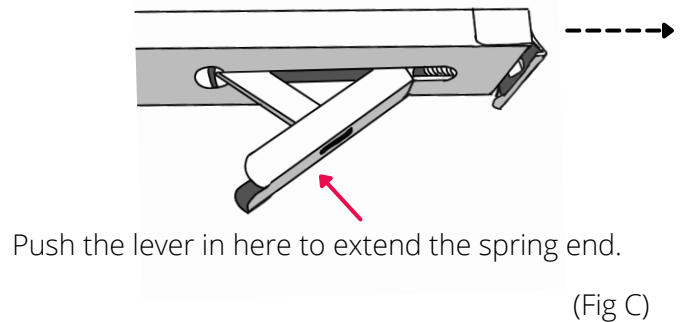
Pull the lever from below or push down on the mechanism from above to retract the tension boot (See Fig B).

Install the metal strips or padded adhesive tape on opposite sides of the window opening where you'll be installing the No-Drill Blinds Headrail. This is optional and only available on larger products.



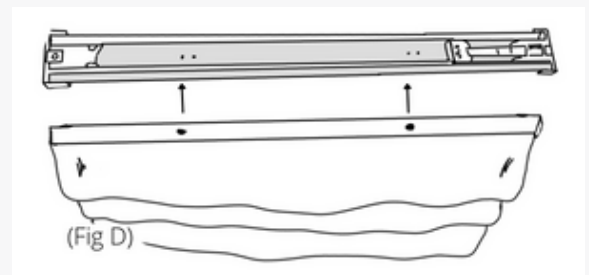
## 2. Installing the No Drill Blinds Headrail

Insert the No-Drill Blinds Headrail into the window opening, make it flush with the top of the window opening, then push on the lever to extend the tension spring and secure the No-Drill Blinds Headrail. (See Fig C)



## 3. Installing the Product

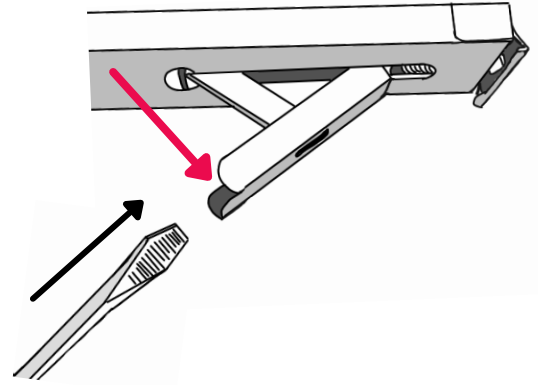
Install the product onto the brackets (See Fig D). Test and operate the product to ensure secure installation and smooth functionality.



## Uninstalling the No Drill Blinds Headrail

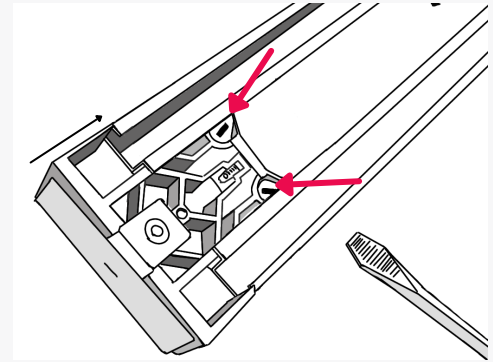
To uninstall the product, follow step 1 by removing the product from the headrail and use a screwdriver to unlatch the lever.

Make sure to hold the No Drill Blinds Headrail in place while unlatching the lever. This will prevent damage to the window or headrail.



### Tech Tip

If the fixed boot end was accidentally forced out, use a flathead screwdriver to twist the red "droplets" towards the center and then push it back in.



# Caisson sans perçage



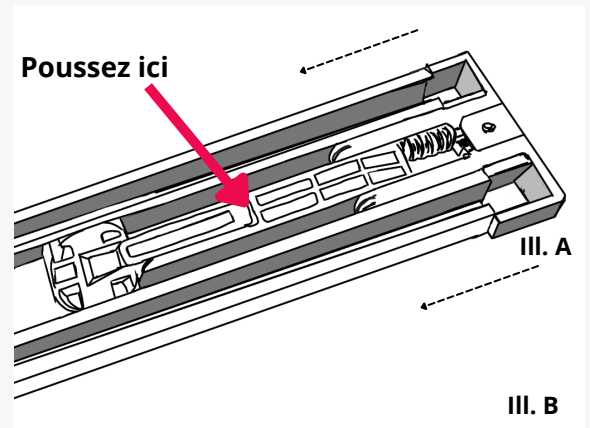
Le degré de difficulté de cette installation est de **Niveau 1 - C'est simple comme bonjour !**

Si vous avez des questions ou que vous ne savez pas comment procéder, appelez notre équipe du Service à la clientèle au (888) 685-1735 ou contactez-nous par courriel à [service@storeselectscanada.ca](mailto:service@storeselectscanada.ca)

## 1. Préparer le caisson sans perçage

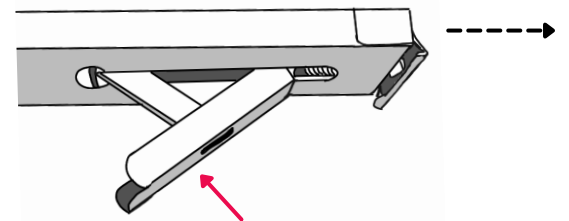
Tirez sur le levier par-dessous ou poussez le mécanisme vers le bas en passant par le haut afin de dégager le bloc tenseur (voir III. B).

Fixez les bandes métalliques ou le ruban adhésif rembourré sur le côté opposé de la fenêtre où vous installerez le caisson sans perçage. Cette étape facultative ne s'applique que pour les produits de grandes dimensions.



## 2. Installer le caisson sans perçage

Insérez le caisson sans perçage dans l'ouverture de la fenêtre en l'alignant avec le haut de la fenêtre, puis poussez sur le levier pour tendre le ressort et fixer le caisson (Voir III. C).

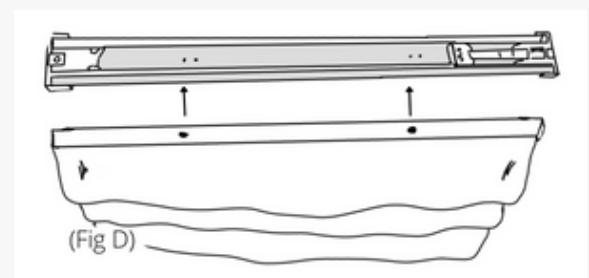


Poussez le levier ici pour tendre le ressort.

III. C

## 3. Installer le produit

Installez le produit dans les supports (voir III. D). Essayez votre produit afin de vous assurer que son installation est bien sécuritaire et qu'il fonctionne parfaitement.



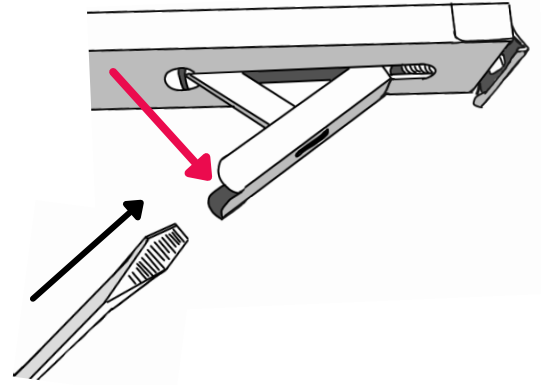
III. D



## Désinstaller le caisson sans perçage

Pour désinstaller le produit, suivez l'étape 1 en retirant tout d'abord le produit du caisson et en utilisant un tournevis pour déverrouiller le levier.

Assurez-vous de bien tenir le caisson en place au moment de débloquent le levier. Vous éviterez ainsi d'abimer la fenêtre ou le caisson.



## Conseil technique

Si l'extrémité est sortie par accident, utilisez un tournevis à tête plate pour faire tourner les « gouttelettes » rouges vers le centre et la repousser à l'intérieur.

